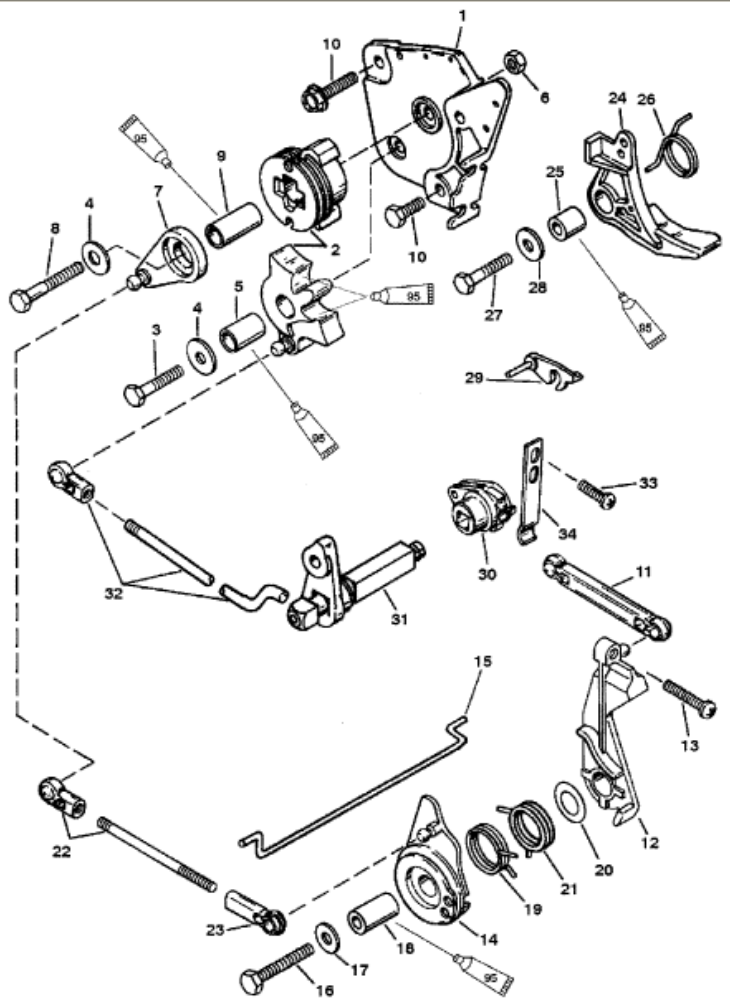


Parts List



95 2-4-C With Teflon (92-825-407A12)

21952

Ref	Class	Part	Description	Qty	Comment	Footnote
1		42148	CONTROL PLATFORM	1		
2		94085A	GEAR	1		
3	10	826650	SCREW, (M6 x 30)	1		
4	12	40023	WASHER	2		
5	23	42149	SPACER (SHORT)	1		
6	11	40021	NUT, (M6)	2		
7		42151	PRIMARY LEVER	1		
8	10	40003	SCREW, (M6 x 40)	1		
9	23	42150	SPACER (LONG)	1		
10	10	40001	SCREW, (M6 x 16)	2		
11		42167	TIMING LINK	1		
12		42163	CONTROL LEVER	1		
13	10	40019	SCREW, (M5 x 35)	1		
14		42166	ACTUATOR	1		
15		42161	LINK INTERLOCK	1		
16	10	40003	SCREW, (M6 x 40)	1		
17	12	69056	WASHER, (.255 x .620 x .03)	1		
18	23	42162	BUSHING	1		
19	24	42164	SPRING	1		
20	13	69708	WAVE WASHER	1		
21	24	13676	SPRING	1		
22		19385A	THROTTLE LINK	1		
23		19384	SOCKET	1		
24		42159	LEVER	1		
25	23	42158	BUSHING	1		
26	24	42160	SPRING	1		
27	10	40003	SCREW, (M6 x 30)	1		
28	12	69056	WASHER, (.255 x .620 x .03)	1		
29		42156	LEVER	1		
30		42153	LEVER	1		
31		815550	SHIFT SHAFT	1		
32		815567A	SHIFT LINK	1		
33	10	40001	SCREW, (M5 x 8)	2		
34	24	39627	SPRING	1		